

110 Axial fan

×110×25mm



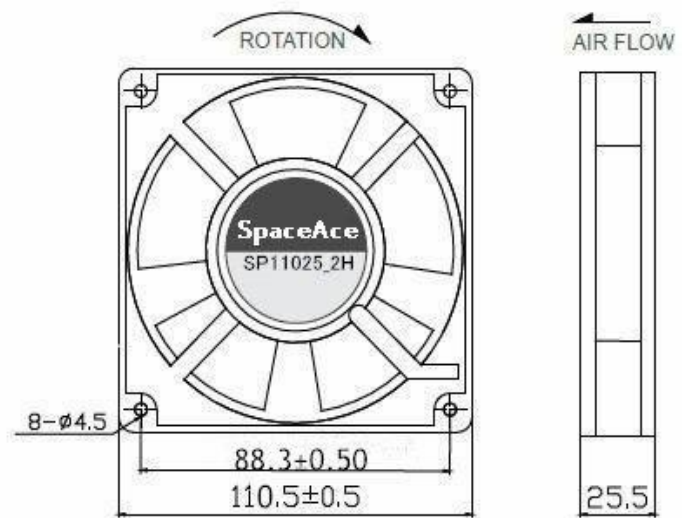
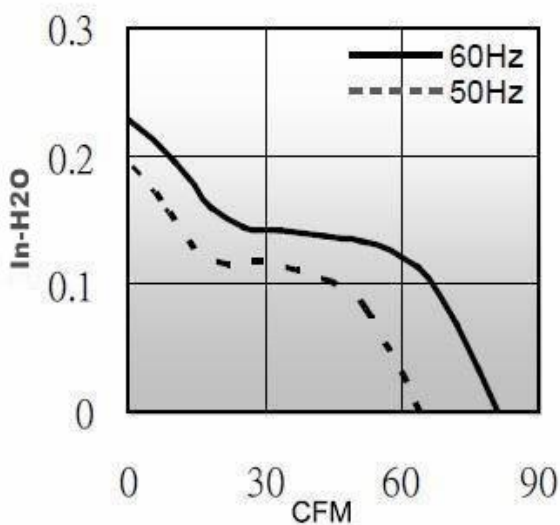
General Specifications

- Motor : Singal phase induction capacitor motor
- Frame & Impller :Al Die-casting & PBT plsatic
- Storage temperature : -40°C to +75°C
- Operating temperature : -10°C to +60°C

Major Characteristic Parameters

品牌	轴承	电压	频率	功率	转速	风量	静压	噪音		
型号	B/S	V	HZ	W	RPM	m3/mi n	CFM	mm-H2O	In-H2O	dba
SP110B11H-25AL	B / S	110	50/60	19/18	2200/2500	1.80/2.30	64/81	5.0/5.9	0.20/0.23	37/38
SP110B22H-25AL	B / S	220	50/60	19/18	2200/2500	1.80/2.30	64/81	5.0/5.9	0.20/0.23	37/38
SP110B11H-25AT	B / S	110	50/60	19/18	2200/2500	1.80/2.30	64/81	5.0/5.9	0.20/0.23	37/38
SP110B22H-25AT	B / S	220	50/60	19/18	2200/2500	1.80/2.30	64/81	5.0/5.9	0.20/0.23	37/38

*Bearing system B: Two Ball Bearing S: Sleeve Bearing



unit:mm