

□ 182 DC Blower

×171×61mm



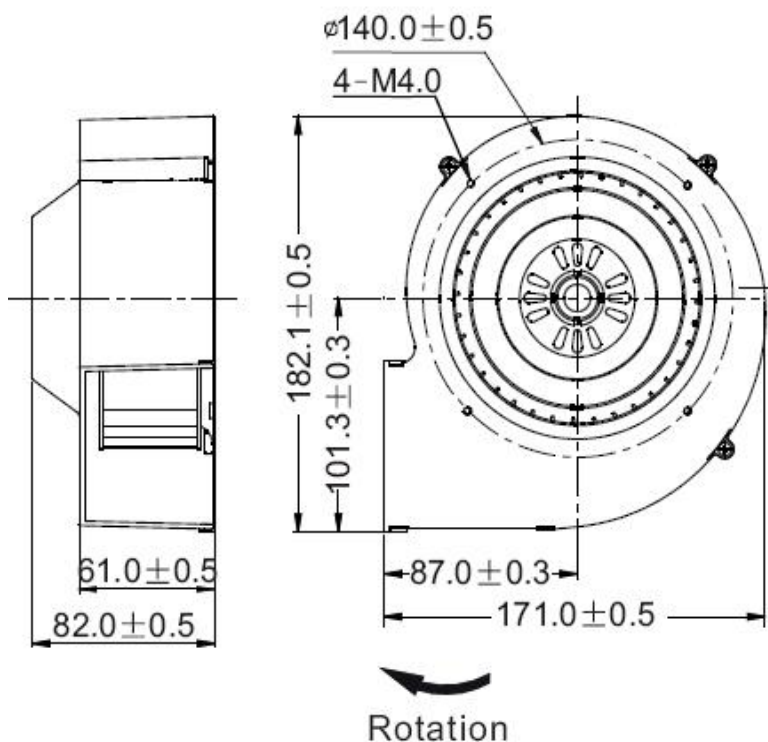
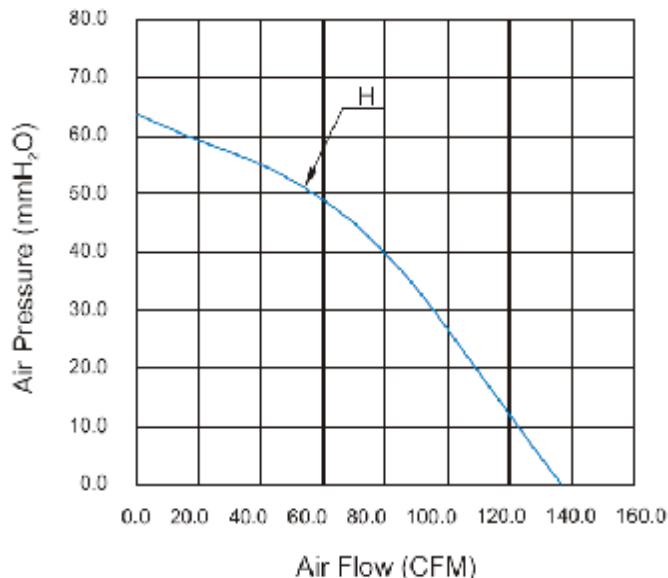
■ General Specifications

- Frame & Impeller: Plastic (UL 94V-0)
- Lead Wires : UL Type
- Storage temperature : -40° to +75°
- Operating temperature : -10° to +70°

■ Major Characteristic Parameters

品牌	轴承	电压	启动电压	电流	功率	转速	风量	静压	噪音		
型号	B/S	V	V	A	W	RPM	m3/min	CFM	mm-H2O	In-H2O	dba
SP182B24H-61DL	B	24	14.0~26.4	2.20	52.80	2000	3.86	136.8	63.8	2.51	63.0
SP182B48H-61DL	B	48	28.0~56.0	1.10	52.80	2000	3.86	136.8	63.8	2.51	63.0

*Bearing system B: Two Ball Bearing S: Sleeve Bearing



Unit: mm