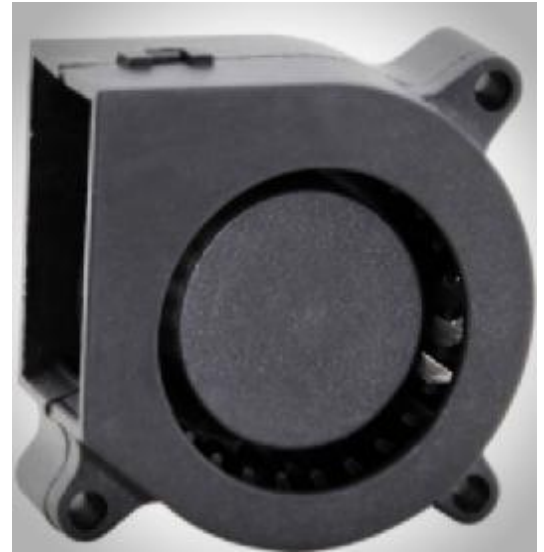


## 50 DC Blower

× 50 × 20mm



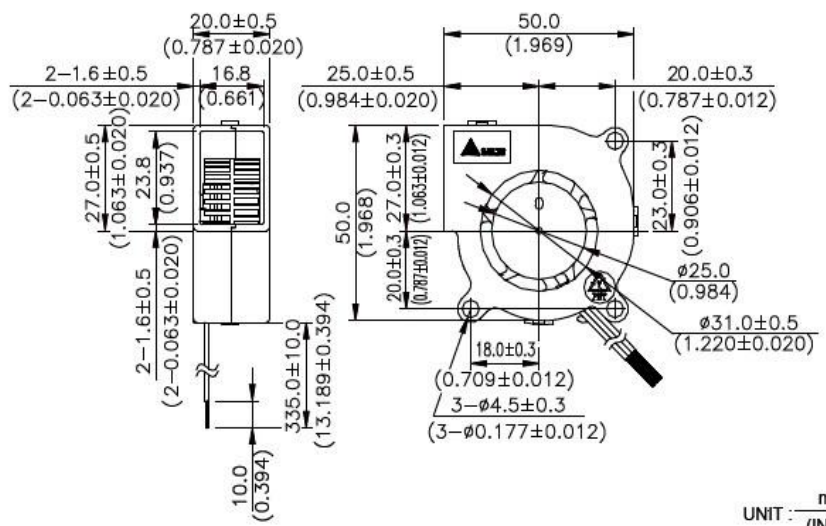
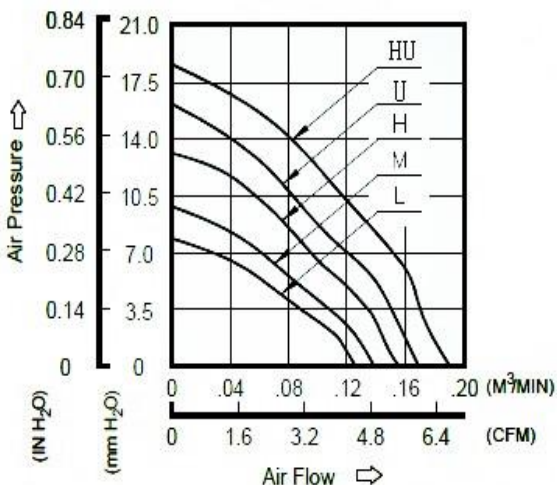
### General Specifications

- Motor : 6 Poles brushless DC motor
- Frame & Impeller: Plastic (UL 94V-0)
- Storage temperature : -40° to +75°
- Operating temperature : -10° to +70°

### Major Characteristic Parameters

品牌	轴承	电压	启动电压	电流	功率	转速	风量	静压	噪音		
型号	B/S	V	V	A	W	RPM	m <sup>3</sup> /min	CFM	mm-H <sub>2</sub> O	In-H <sub>2</sub> O	dba
SP50B05L-20DL	B/S	5	4.5~5.5	0.24	1.20	3700	0.13	4.45	7.85	0.31	28.0
SP50B12L-20DL	B/S	12	7.0~13.2	0.12	1.44	3700	0.13	4.45	7.85	0.31	28.0
SP50B05M-20DL	B/S	5	4.5~5.5	0.26	1.30	4100	0.14	4.91	9.82	0.39	31.0
SP50B12M-20DL	B/S	12	7.0~13.2	0.13	1.56	4100	0.14	4.91	9.82	0.39	31.0
SP50B05H-20DL	B/S	5	4.5~5.5	0.28	1.40	4500	0.16	5.51	13.12	0.52	33.8
SP50B12H-20DL	B/S	12	7.0~13.2	0.14	1.68	4500	0.16	5.51	13.12	0.52	33.8
SP50B05U-20DL	B/S	5	4.5~5.5	0.32	1.60	4900	0.17	5.83	16.15	0.64	36.5
SP50B12U-20DL	B/S	12	7.0~13.2	0.16	1.92	4900	0.17	5.83	16.15	0.64	36.5
SP50B12UH-20DL	B/S	12	7.0~13.2	0.23	2.76	5300	0.19	6.75	18.60	0.73	38.5

\*Bearing system B: Two Ball Bearing S: Sleeve Bearing



UNIT :  $\frac{\text{mm}}{\text{INCH}}$